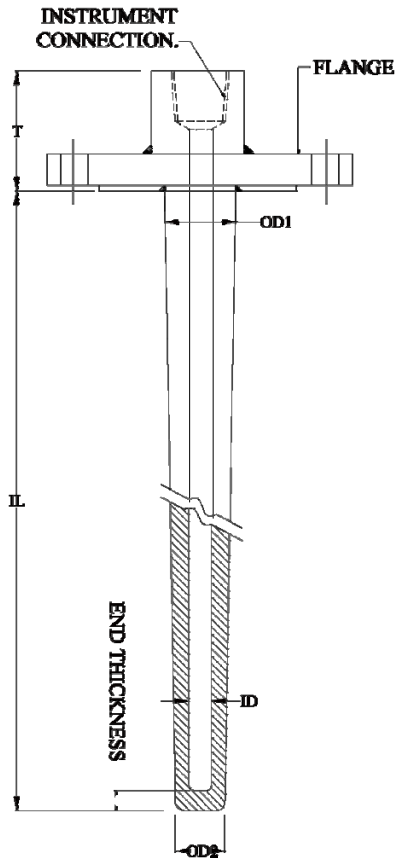


FLANGED TAPERED THERMOWELL



Thermowell Material	<input type="text"/>	304	SS 304
		310	SS 310
		316	SS 316
		600	Inconel-600
		800	Inconel-800
		446	HRS- 446
		Other	Consult Factory
Thermowell Dia. OD1 X OD2 X ID	<input type="text"/>		
End Thickness	<input type="text"/>		
Process Conn.	<input type="text"/>	Flange Rating	Standard of Flange
		# 150	1/2"
		# 300	3/4"
		# 400	1"
		# 600	1 1/2"
			1 1/4"
			2"
Instrument. Conn.	<input type="text"/>	B.S.P.	1/2"
		N.P.T.	3/4"
			3/8"
			1"
		M-Thread	M20X1.5, M18X1.5, etc.
Length of "T"	<input type="text"/>		
Insertion Length "LL."	<input type="text"/>		

Temperature Sensor Technology