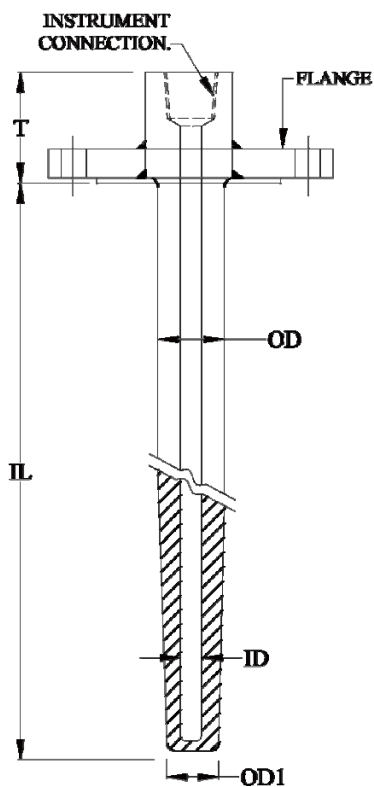


VAN STONE TAPERED THERMOWELLS



Thermowell Material

Thermowell Dia. OD X OD1 X ID (mm)

Process Conn.

Instrument Conn.

Length of "T"

Insertion Length "IL"

A	SS 316
B	SS 310
C	SS 304
D	HRS-446
E	Inconel-600
F	Inconel-800
Other	

Flange Rating	Standard of Flange
# 150	1/2"
	3/4"
# 300	1"
# 400	1 1/2"
# 600	1 1/4"
	2"

B.S.P.	1/2"
	3/4"
N.P.T.	3/8"
	1"
M-Thread	M20X1.5, M18X1.5, etc.

Temperature Sensor Technology