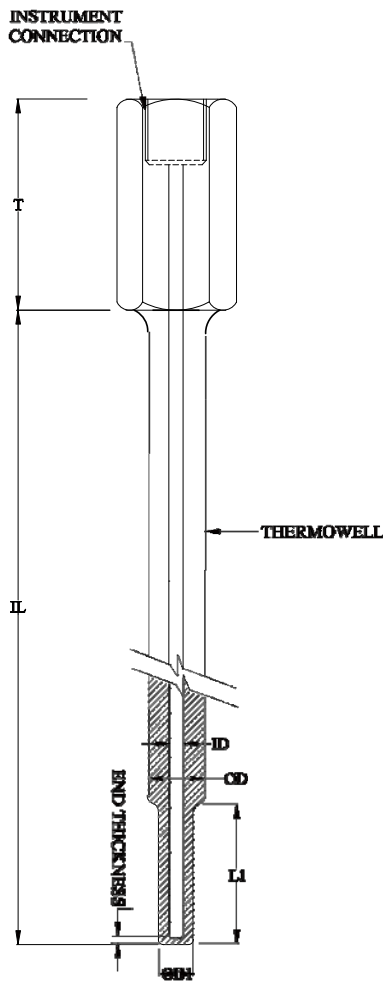


VAN STONE STEPPED THERMOWELL



Thermowell Material

Thermowell Dia. OD1 X OD2 X ID (mm)

End Thickness

Instrument. Conn.

Length of "T"

Insertion Length "L.L."

A	SS 304
B	SS 310
C	SS 316
D	Inconel-600
E	Inconel-800
F	HRS-446
Other	Consult Factory

B.S.P.	1/2"
N.P.T.	3/4"
	3/8"
	1"
M-Thread	M20X1.5, M18X1.5, etc

Temperature Sensor Technology