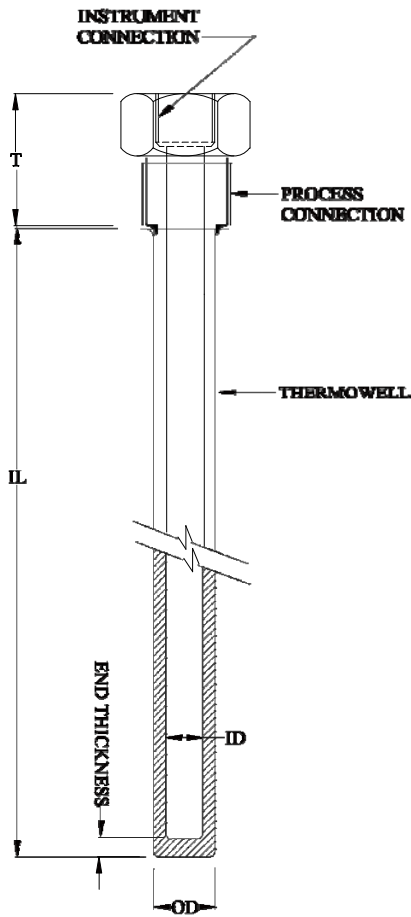




# WELD-IN STRAIGHT THERMOWELL



Thermowell Material	<input type="text"/>	A	SS 304
		B	SS 310
		C	SS 316
		D	Inconel-600
		E	Inconel-800
		F	HRS-446
		Other	Consult Factory
Thermowell Dia. OD X ID (mm)	<input type="text"/>		
End Thickness	<input type="text"/>		
Process Conn.	<input type="text"/>	Adj. Comp. Fitting	1/4"
		B.S.P.	1/2"
		N.P.T.	3/4"
			3/8"
			1"
			1 1/4"
			1 1/2"
			2"
		M-Thread	M20X1.5, M18X1.5
Instrument. Conn.	<input type="text"/>	B.S.P.	1/2"
		N.P.T.	3/4"
			3/8"
			1"
		M-Thread	M20X1.5, M18X1.5, etc. M27X2
Length of "T"	<input type="text"/>		
Insertion Length "I.L."	<input type="text"/>		

## Temperature Sensor Technology