

## THERMOCOUPLE FOR MOLTEN ALUMINAM (STRAIGHT)

# T-951

Type of T/C	Description
K	Chromal/Alumal
J	Iron/Constantan
N	Nicrosil-Nisil
T	Copper/Constantan
E	Ni-Cr/Constantan
Other	Consult Factory
Ex. :	If Simplex - K Duplex - KK

**Thermocouple Element**

**Termination Style**

**Junction Style**

**Sheath "OD"**

**T/W OD X ID :**

**Sheath Material**

**T/W Material COLD AND**

**T/W Material HOT AND**


C	Connection Head IP-67
M	Miniature Head
D	"D" Double entry Head
E	Ex. Proof Head
P	Plastic Head IIA/IIB
Other	Consult Factory
GN	Grounded Rounded Tip
UN	Ungrounded Rounded Tip

1	Ø1mm
1.6	Ø1.6mm
3	Ø3mm
4.5	Ø4.5mm
6	Ø6mm
8	Ø8mm

316	SS 316
310	SS 310
304	SS 304
600	Inconel-600
800	Inconel-800
Other	Consult Factory

CI	CAST IRON
SN	SILICON NITRIDE (KYOCORA JAPAN)

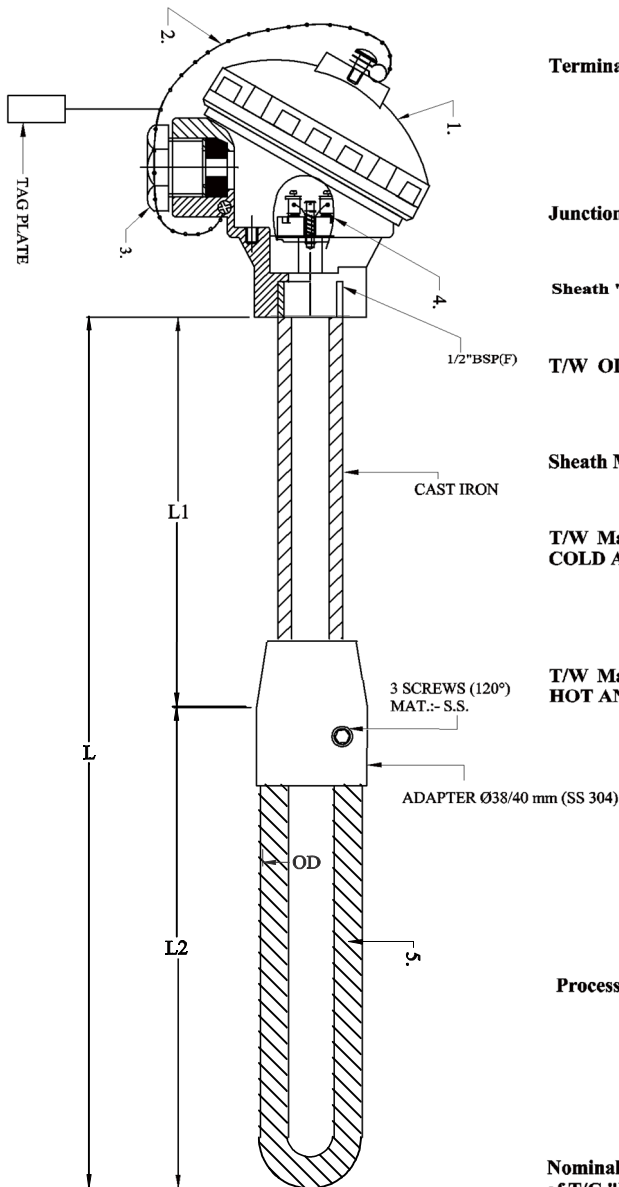
**Process Connection**

**Length (L1)  
Nominal Length  
of T/C "L"**

**Length (L2)**



Flange Rating	Standard Flange
Adj. Flange	1/2"
# 150	3/4"
# 300	1"
# 400	1 1/2"
# 600	1 1/4"
	2"
Adj. Flange P.C.D.-70mm	



## Temperature Sensor Technology